



# Facility Summary Report

Building Name: *Platte River State Fish Hatchery/Sludge Pump Building*

DNR TagID#: **84551**

Facility Location: *Platte River State Fish Hatchery*

Inventory Status: *Verified*

Inventory Date: *06/13/2016*

Managing Agency: *Fisheries*

Facility Type: *Other*

Facility Use: *Fish Production Facility*

Building Status: *Active*

Building Manager: *Aaron Switzer (231-325-4611)*

Building Telephone: *231-325-4611*

Building Fax: *231-325-2111*

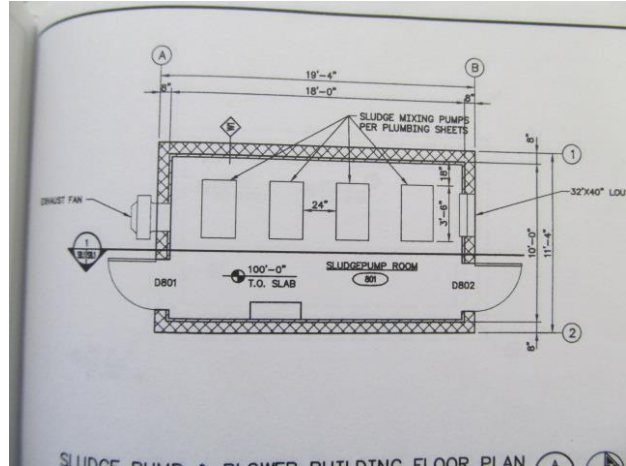
Building Address: *Unknown*

Construction Date: *01/14/2004*

Square Footage: *220*

Historical Cost: *\$272,061*

Leased/Own: *DNR-Owned*



Employees at Location: *No*

Vacant Workstations: *None*

Electricity: *Yes*

Water: *Yes*

Heat: *Yes*

Storage Space: *No*

## MISC. COMMENTS

## LOCATION INFORMATION

COUNTY NAME	TIER/RANGE	TOWNSHIP NAME	SECTION	QQ	Q	LOTS PAR ID	LATITUDE	LONGITUDE
Benzie	26N - 13W	INLAND	07	SW	SW	13895	44.66219907	-85.93669565