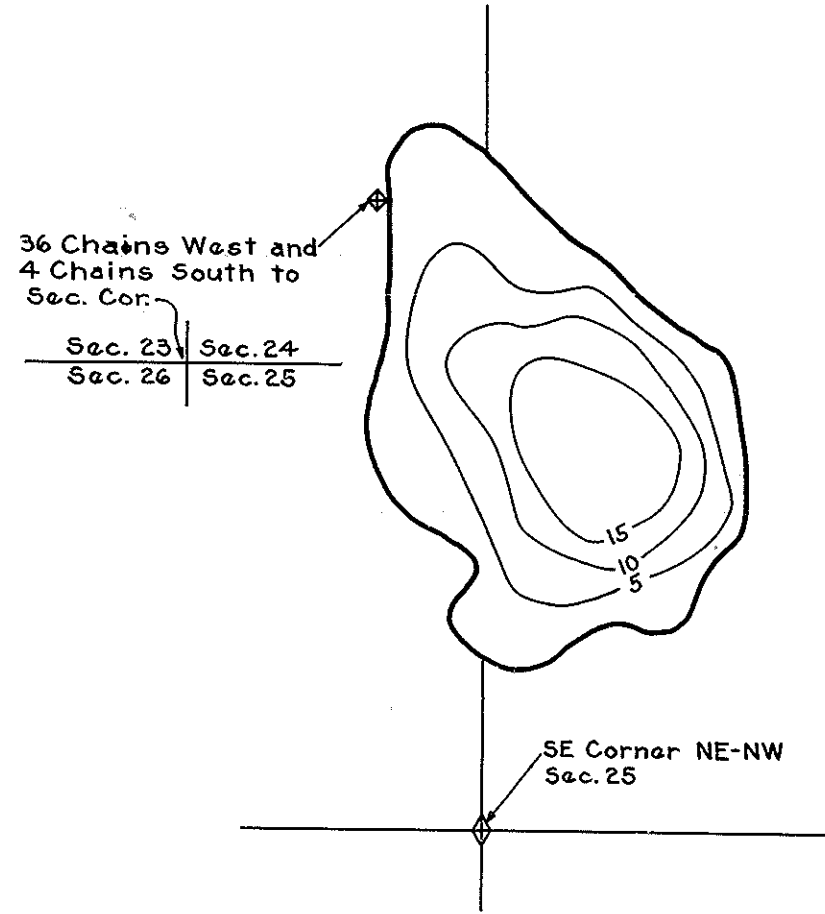


6-9-P

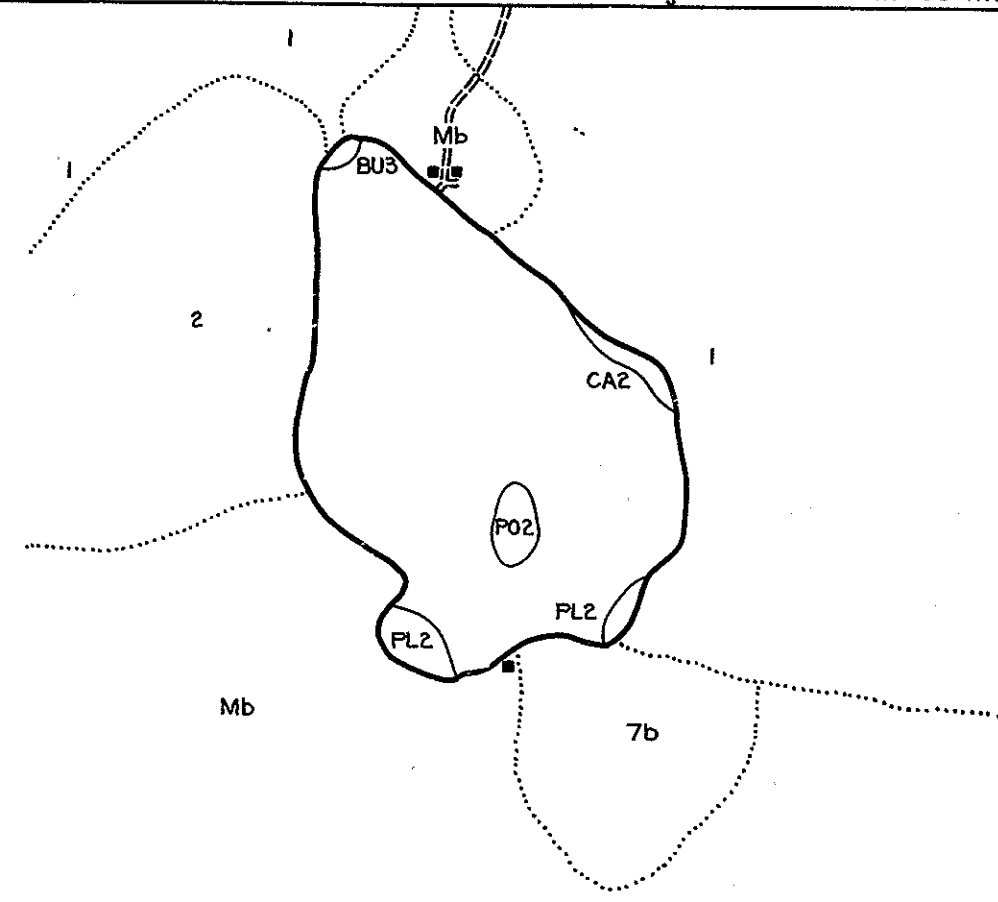
R-9
U. S. Department of Agriculture
Forest Service
LAKE AND STREAM SURVEY
BILLY GOOD LAKE
Hiawatha National Forest
Michigan

Location Sec's 24 & 25 T. 42 N. R. 19 W.
Scale 16 Inches = 1 Mile

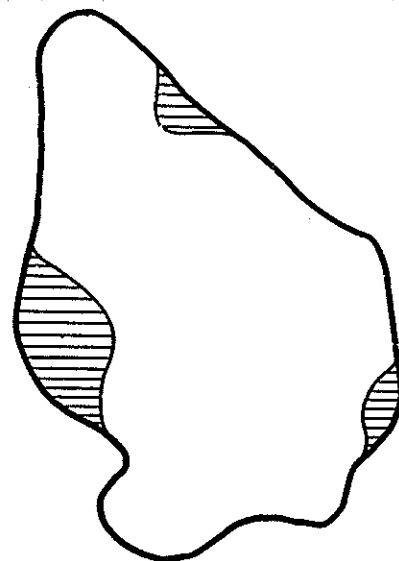
Area 20 Acres
Length of Shore Line .8 Mile



Contour Map
Contour Interval-5'



Cover Type And
Aquatic Vegetation Map



Lake Bottom Soil Type Map

J-6-9