

**SURVEY & REMONUMENTATION**

RA...IED BY THE BERRIEN COUNTY SURVEY PEER GROUP AS THE OFFICIAL CORNER UNDER MICHIGAN PUBLIC ACT 345 OF 1990  
*William G. Kamer*  
 SEPTEMBER 20, 1994  
 For corners in

APR 26 1995

12/22/94  
 12/22/94

111#9309  
 CORNER 111#9309  
 STATE REMON FEE \$2.00

**COMMISSION  
 LAND CORNER RECORDATION CERTIFICATE  
 Filing Requirement of Act 74, Mich. P.A. 1970  
 Berrien County Remonumentation**

RECORDED  
 DEC 22 10 03 AM '94  
 REGISTER OF DEEDS  
 BERRIEN COUNTY MICHIGAN

Berrien (County)	Located In:	Corner Code #
1. Public Land Survey	T 3S R 17W	F7
	T R	
	T R	
	T R	
2. Property Controlling in Section	S T R	
	S T R	
3. Miscellaneous Property in Sec.	S T R	
	S T R	

Register of Deeds Stamp & File Number

4. Lot No. \_\_\_\_\_, Recorded Plat \_\_\_\_\_  
 5. Private Claims \_\_\_\_\_

	A	B	C	D	E	F	G	H	I	J	K	L	M
2	6	5	4	3	2	1							
3													
4	7	8	9	10	11	12							
5													
6	18	17	16	15	14	13							
7													
8	19	20	21	22	23	24							
9													
10	30	29	28	27	26	25							
11													
12	31	32	33	34	35	36							
13													

I, John G. Kamer, in a field survey on October 3, 19 94, do hereby certify that under requirements of P.A. 74, Michigan P.A. of 1970, the corner points mentioned in lines 1 and 2 above were in conformance with regulations and rules therefore as required in the current manual of survey instructions of the United States Department of the Interior, Bureau of Land Management or by a decree of a Court of Law and/or that the corner points mentioned in lines 3, 4 and 5 above were in conformance with the rules of the Michigan Board of Land Surveyors or by a Decree of a Court of Law; established, re-established, monumented, re-monumented, recovered, found as expressed below:

**NOTE: Not more than 4 corners, all in the same town and range, may be recorded on this certificate.**

**A. Description of original monument and accessories and/or subsequent restoration:**

1830 William Brookfield D.S. 40.08 1/2 Set 1/4 Sec. post & Cor. Pine 50 S 5 1/2 E 69 Pine 44 N 32 1/2 W 30	Aug. 11, 1939 also Feb. 24, March 4, 1930	Wil-O-Paw Island Plat Rec. Lb. 10 pg. 29 Dewey, Cleary, Hampton & Evan Notes at W & A - sketch of bridge 3/4" hole in conc. (deck) 17.3' from W. end of bridge 5.4' from N. edge of bridge - outside wall
---------------------------------------------------------------------------------------------------------------------	----------------------------------------------	--------------------------------------------------------------------------------------------------------------------------------------------------------------------------------------------------------------------------

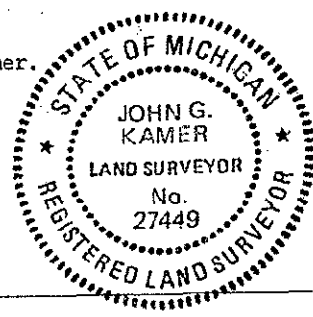
**B. Description of corner evidence found and/or method applied in restoring or reestablishing corner:**

Found hole in bridge deck under asphalt  
 17.3' from W. end of bridge  
 5.4' from N. edge of bridge - outside wall  
 Set witness ties 7-8-94 prior to bridge removal and reconstruction in Aug. '94  
 20" Maple N 85° E 82.38'  
 20" Twin Maple N 15° W 38.15'  
 P.P. N 85° W 97.68'  
 P.P. S 75° W 155.57'

**C. Description of monument for corner and accessories established to perpetuate locating the position of the corner:**

Set standard brass plate in conc. in bridge deck - (See back)  
 Nail & tag 20" Maple N 85° E 82.38'  
 Nail & tag 20" Twin Maple N 15° W 38.15'  
 Nail & Tag P.P. N 85° W 97.68'  
 Nail & Tag P.P. S 75° W 155.57'

Corner is accepted as a careful & faithful perpetuation of the position of the original corner.



Signed by *John G. Kamer*  
 Surveyor's Michigan License No. 27449

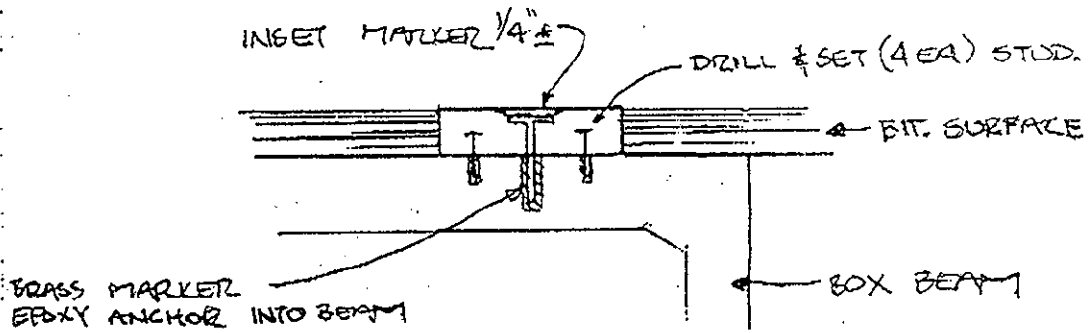
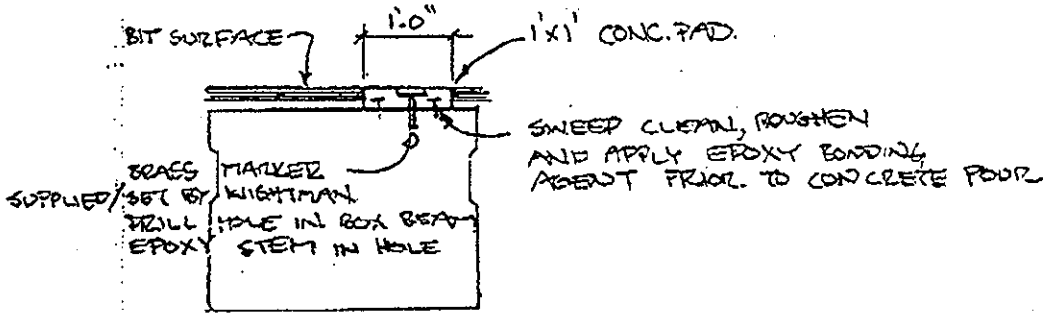
Date 12-20-94

WIL-O-PAW BRIDGE

9/21/94

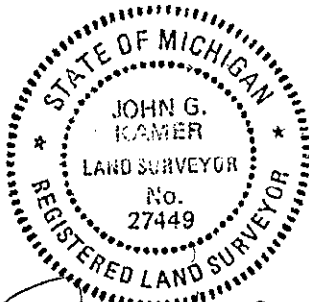
SECTION CORNER DETAIL

FROM MIKE PUSHLER  
B.C.R.C.



DAVE WALORSKI - No. 100.

DAVE MITCHELL / DARYL VEDMAN - W/A



*John G. Kamer*