

Register's Office }  
Gogebic County } ss.

**LAND CORNER RECORDATION CERTIFICATE**  
Filing Requirement of Act 74, Mich. P.A. 1970

Received for record the  
19<sup>th</sup> day of August  
A. D. 1994 at 1:20 o'clock  
P m., and recorded in  
Liber 5 of CORNERS  
on page 92.  
*Hermana Collins, Deputy*  
Register of Deeds

For corners Gogebic

| (County)                              | Located In:               | Corner Code -# |
|---------------------------------------|---------------------------|----------------|
| 1. Public Land Survey<br><u>S-24</u>  | T <u>47N</u> R <u>47W</u> | <u>K-8</u>     |
|                                       | T _____ R _____           | _____          |
|                                       | T _____ R _____           | _____          |
|                                       | T _____ R _____           | _____          |
| 2. Property Controlling<br>in Section | S _____ T _____ R _____   | _____          |
|                                       | S _____ T _____ R _____   | _____          |
| 3. Miscellaneous<br>Property in Sec.  | S _____ T _____ R _____   | _____          |
|                                       | S _____ T _____ R _____   | _____          |

Register of Deeds Stamp & File Number

4. Lot No. \_\_\_\_\_, Recorded Plat \_\_\_\_\_  
5. Private Claims \_\_\_\_\_

|    | A  | B  | C  | D  | E  | F  | G | H | I | J | K | L | M |
|----|----|----|----|----|----|----|---|---|---|---|---|---|---|
| 2  | 6  | 5  | 4  | 3  | 2  | 1  |   |   |   |   |   |   |   |
| 3  |    |    |    |    |    |    |   |   |   |   |   |   |   |
| 4  | 7  | 8  | 9  | 10 | 11 | 12 |   |   |   |   |   |   |   |
| 5  |    |    |    |    |    |    |   |   |   |   |   |   |   |
| 6  | 18 | 17 | 16 | 15 | 14 | 13 |   |   |   |   |   |   |   |
| 7  |    |    |    |    |    |    |   |   |   |   |   |   |   |
| 8  | 19 | 20 | 21 | 22 | 23 | 24 |   |   |   |   |   |   |   |
| 9  |    |    |    |    |    |    |   |   |   |   |   |   |   |
| 10 | 30 | 29 | 28 | 27 | 26 | 25 |   |   |   |   |   |   |   |
| 11 |    |    |    |    |    |    |   |   |   |   |   |   |   |
| 12 | 31 | 32 | 33 | 34 | 35 | 36 |   |   |   |   |   |   |   |
| 13 |    |    |    |    |    |    |   |   |   |   |   |   |   |

I, John R. Garske, in a field survey on April 18, 1994, do hereby certify that under requirements of P.A. 74, Michigan P.A. of 1970, the corner points mentioned in lines 1 and 2 above were in conformance with regulations and rules therefore as required in the current manual of survey instructions of the United States Department of the Interior, Bureau of Land Management or by a decree of a Court of Law and/or that the corner points mentioned in lines 3, 4 and 5 above were in conformance with the rules of the Michigan Board of Land Surveyors or by a Decree of a Court of Law; established, re-established, monumented, re-monumented, recovered, found as expressed below:

**NOTE: Not more than 4 corners, all in the same town and range, may be recorded on this certificate.**

A. Description of original monument and accessories and/or subsequent restoration:

Original survey by William Ives, D.S., in 1848, set wood post. Original Bearing Trees:

- Sugar - 10" - S27°E - 6 links
- Ironwood - 7" - N53°W - 9 links

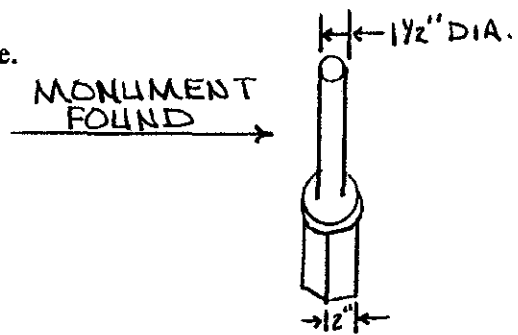
The corner position was found and remarked by Ewart C. Muller, RLS 15408, in May of 1977 and recorded in Liber 1 of Land Corners on Page 314.

Accessories: P.K. nail in centerline of street - Due West - 41.26'; 14" apple tree - S22°W - 72.93'; S.E. corner of concrete foundation - S49°E - 70.80'.

B. Description of corner evidence found and/or method applied in restoring or reestablishing corner:

I found a 1 1/2" iron stake marking the corner position which checks with Mullers witnesses in his certificate. Iron stake found to be a 1 1/2" diameter tapered axel shaft set in concrete after digging down 2'±.

Act 74 research on file with County Register of Deeds Office.



Approved  
*Richard L. Drab* 8/17/94

C. Description of monument for corner and accessories established to perpetuate locating the position of the corner:

I set a 2 1/2" diameter x 4 1/2" long aluminum pipe (over the existing axel shaft) with 3 1/4" aluminum cap stamped to note the corner position set 2" below the ground, from which I established the following bearing objects:

- 4" spruce - S16°W - 69.20 feet
- 10" box elder - N78°E - 43.85 feet
- 4" box elder - N20°W - 8.36 feet
- R.M. - N73°W - 18.15 feet (2 1/2" x 30" aluminum pipe with a 3 1/4" aluminum cap)

Signed by John R Garske  
Surveyor's Michigan License No. 28410

Date 6/10/94

