

MICHIGAN
DEPARTMENT OF CONSERVATION
~~X-FORESTRY DIVISION~~
Reg III Surveyor
LAND CORNER RECORD

K-3
b

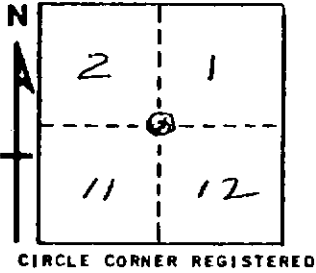
T. 10 N.R. 6W

DESCRIPTION OF CORNER (Recovered) Montcalm COUNTY

CORNER MONUMENT Wall point - 12" below Rd. Grade

DATE MONUMENT ^{Found} ~~PLACED~~ AND WITNESSED 24 Aug 1966

WITNESSES TO CORNER..... Spike & tag 22" walnut N 65° W 69.8'



SW. Cor. Br. Abut. (Pakes Rd) S 45° 30' E 126.4'

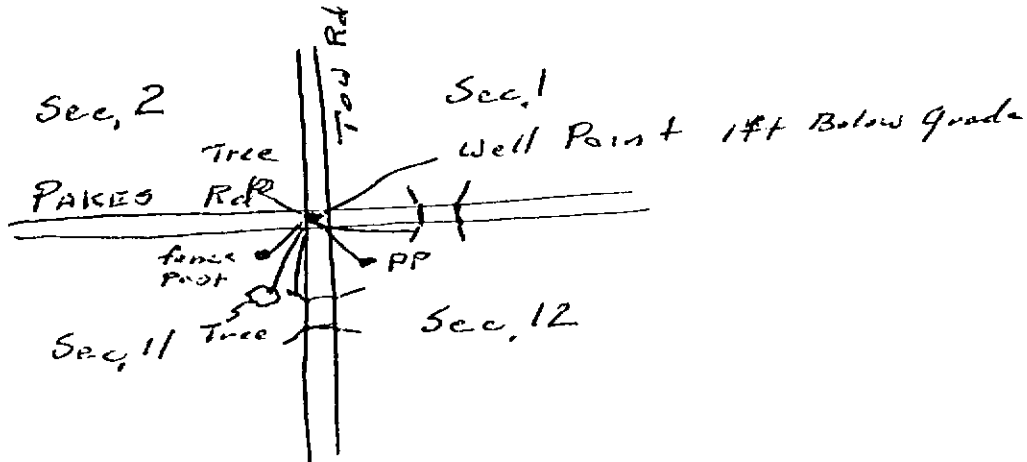
Spike & tag Power Pole S 51° E 40.8'

AND
NW. Cor. Br. Abut. S 1° W 106.5'

Spike & tag 30" Willow S 12° W 68.55'

DESCRIPTION IN DETAIL AS TO HOW CORNER WAS LOCATED AND IDENTIFIED OR RESTORED.

Cor. fence Post S 39° W - 40.2'



SURVEYOR'S SEAL

SIGNED *Dwayne Ford* DATE 24 Aug 66
REGISTERED LAND SURVEYOR