

DEC 01 1998

SECTION

OTTAWA COUNTY REMONUMENTATION
LAND CORNER RECORDATION CERTIFICATE
Filing Requirement of Act 74, Mich. P.A. 1970

For corners in
Ottawa

(County)	Located In:	Corner Code #
	Georgetown Township	
1. Public Land Survey	T <u>6N</u> R <u>13W</u>	<u>G-1</u>
	T _____ R _____	<u>NW Cor.</u>
	T _____ R _____	<u>Sec. 3</u>
	T _____ R _____	
2. Property Controlling in Section	S _____ T _____ R _____	
	S _____ T _____ R _____	
3. Miscellaneous Property in Sec.	S _____ T _____ R _____	
	S _____ T _____ R _____	

RECORDED

98 JUL 24 PM 1:46

Ray Schellert
REGISTER OF DEEDS
OTTAWA COUNTY, MI

Register of Deeds Stamp & File Number

4. Lot No. _____, Recorded Plat _____
5. Private Claims _____

	A	B	C	D	E	F	G	H	I	J	K	L
2	6	5	4	3	2	1						
3												
4	7	8	9	10	11	12						
5												
6	18	17	16	15	14	13						
7												
8	19	20	21	22	23	24						
9												
10	30	29	28	27	26	25						
11												
12	31	32	33	34	35	36						
13												

I, Rodney D. Unema, in a field survey on March 18, 19 98, do hereby certify that under requirements of P.A. 74, Michigan P.A. of 1970, the corner points mentioned in lines 1 and 2 above were in conformance with regulations and rules therefore as required in the current manual of survey instructions of the United States Department of the Interior, Bureau of Land Management or by a decree of a Court of Law and/or that the corner points mentioned in lines 3, 4 and 5 above were in conformance with the rules of the Michigan Board of Land Surveyors or by a Decree of a Court of Law; established, re-established, monumented, re-monumented, recovered, found as expressed below:

NOTE: Not more than 4 corners, all in the same town and range, may be recorded on this certificate.

A. Description of original monument and accessories and/or subsequent restoration:

G-1		
G.L.O. 1831	L.C.R.C. Lib. 2, Pg. 213	Exxel Eng. fnd & held
Lucius Lyon set post	1972 MVK	T Iron in Surveys #791919E & 90565
on Twp. line 24 links West	Found T Iron	
of SW cor., Sec. 34, T7N, R13W,	Spike in 14" Ash N-NE 47.92'	
32" W. Oak S35°W 5 links	Spike in 10" Ash S-SE 48.03'	
9" W. Ash S46°W 41 links	Spike in 6" Ash S-SW 43.76'	

*Over for sketch

B. Description of corner evidence found and/or method applied in restoring or reestablishing corner:

G-1
Found T Iron on N-S Fence Line
φ 20" Ash (dead) N-NE 48.0'

Accepted position of the T iron as a careful and faithful perpetuation of the position of the original corner, and replaced with standard Ottawa Co. cap on a 3/4" X 36" steel bar.

PA. 345 OTTAWA COUNTY
DEED APPROVED 7-20-98
R.D.U.

C. Description of monument for corner and accessories established to perpetuate locating the position of the corner:

G-1 NW corner, Sec. 3	
Ottawa Co. Cap on 3/4" X 36" Steel Bar	
Set nail & O.C. tag in NW side 18" Maple	N55°E 5.06'
Set nail & O.C. tag in NE side 10" Ash	S50°E 35.05'
Set nail & O.C. tag in W side 8" Ash	S05°E 23.68'
Set nail & O.C. tag in E side 20" Ash	S10°E 48.24'
Set nail & O.C. tag in E side 16" Ash	S20°W 43.74'
G-13, T7N, R13W	EAST 15.84'
On fence line running N & S	



Signed by Rodney D. Unema Date June 30, 1998
Surveyor's Michigan License No. 33987

SURVEY &
REMONUMENTATION

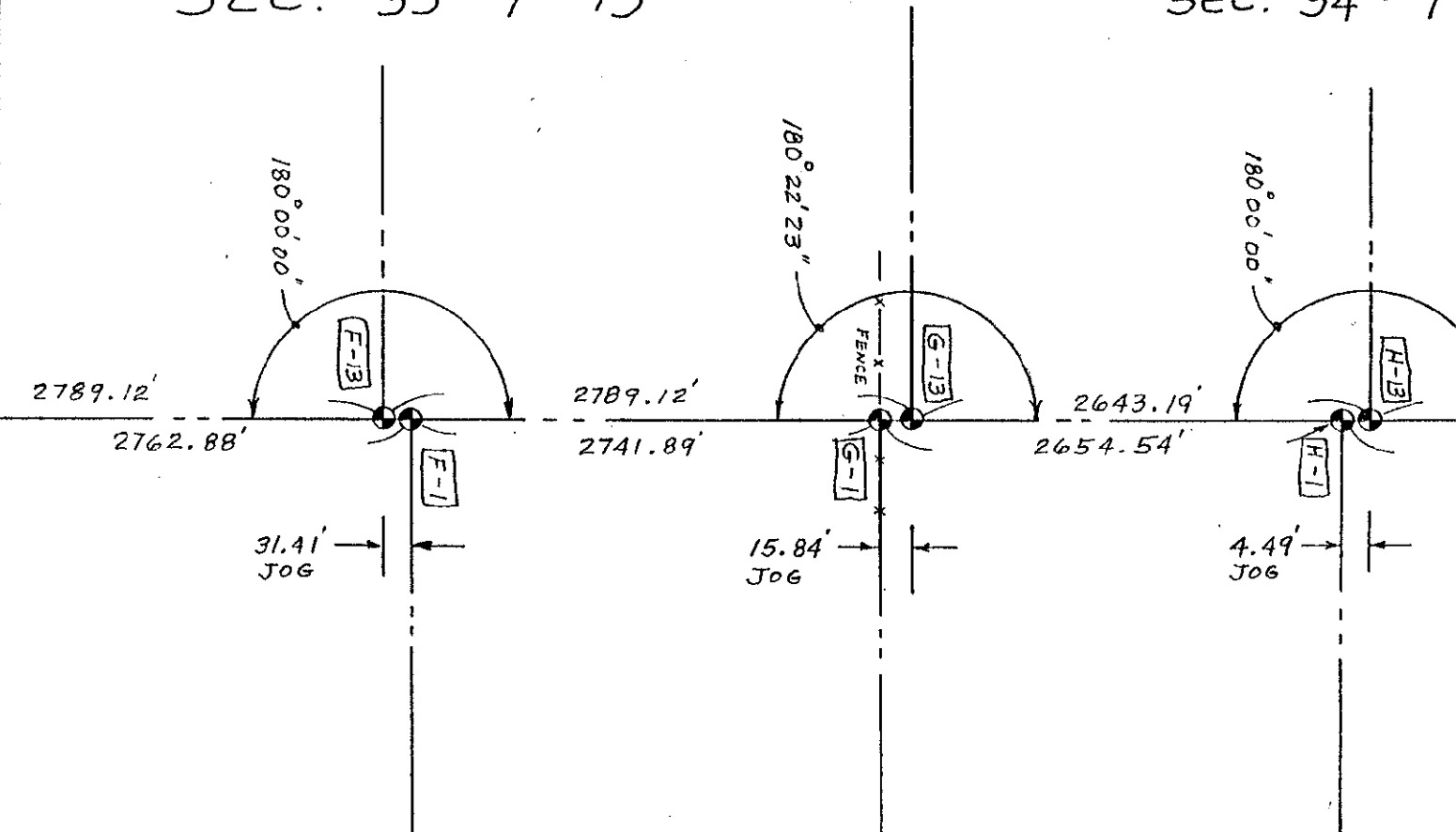
DEC 01 1998

SECTION

N52327

SEC. 33-7-13

SEC. 34-7



SEC. 4-6-13

SEC. 3-6

