

SURVEY & REMONUMENTATION

DEC 01 1998

**OTTAWA CO. REMONUMENTATION
LAND CORNER RECORDATION CERTIFICATE
Filing Requirement of Act 74, Mich. P.A. 1970**

For corners in **SECTION**
Ottawa
(County)

Located In: Georgetown Township

Corner Code #

- | | | |
|------------------------------------|--------------------------|------------|
| 1. Public Land Survey | T <u>6N</u> R <u>13W</u> | H-1 |
| | T _____ R _____ | N 1/4 Cor. |
| | T _____ R _____ | Sec. 3 |
| | T _____ R _____ | _____ |
| 2. Property Controlling in Section | S _____ T _____ R _____ | _____ |
| | S _____ T _____ R _____ | _____ |
| 3. Miscellaneous Property in Sec. | S _____ T _____ R _____ | _____ |
| | S _____ T _____ R _____ | _____ |

RECORDED

98 JUL 24 PM 1:46

[Signature]
REGISTER OF DEEDS
OTTAWA COUNTY, MI

Register of Deeds Stamp & File Number

4. Lot No. _____, Recorded Plat _____
5. Private Claims _____

A	B	C	D	E	F	G	H	I	J	K	L	M
2	6	5	4	3	2	1						
3												
4	7	8	9	10	11	12						
5												
6	18	17	16	15	14	13						
7												
8	19	20	21	22	23	24						
9												
10	30	29	28	27	26	25						
11												
12	31	32	33	34	35	36						
13												

I, Rodney D. Unema, in a field survey on June 24, 19 98, do hereby certify that under requirements of P.A. 74, Michigan P.A. of 1970, the corner points mentioned in lines 1 and 2 above were in conformance with regulations and rules therefore as required in the current manual of survey instructions of the United States Department of the Interior, Bureau of Land Management or by a decree of a Court of Law and/or that the corner points mentioned in lines 3, 4 and 5 above were in conformance with the rules of the Michigan Board of Land Surveyors or by a Decree of a Court of Law; established, re-established, monumented, re-monumented, recovered, found as expressed below:

NOTE: Not more than 4 corners, all in the same town and range, may be recorded on this certificate.

A. Description of original monument and accessories and/or subsequent restoration:

H-1 No recorded L.C.R.C. witnesses or other corner information furnished
Corner not set by G.L.O.

REAPPROVED 7-20-98

[Signature]

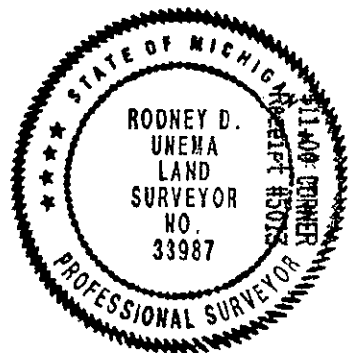
B. Description of corner evidence found and/or method applied in restoring or reestablishing corner:

H-1 No evidence of corner was found. The position of this corner was calculated during the course of a survey by Exxel Engineering in 1979. The position was based on existing irons found at the NW corner, Sec. 3, W 1/4 corner, center Section, and W 1/8 line. The position is very close (44 seconds) to being on a straight line extended through the S 1/4 corner and the center of Section 3. Set Ottawa Co. Cap on 3/4" X 36" Steel Bar This position not established by original government surveyors. This monument is accepted as the best available evidence of the position of the corner.

*See reverse side for sketch

C. Description of monument for corner and accessories established to perpetuate locating the position of the corner:

H-1 N 1/4 Corner, Section 3
Ottawa Co. Cap on 3/4" X 36" Steel Bar - Falls in E-W Trail
Set Nail & O.C. tag in S'yly side 14" Elm N65°W 60.48'
Set nail & O.C. tag in NE side 16" Maple N38°W 56.40'
Set nail & O.C. tag in W side 16" Elm N08°E 45.78'
Set nail & O.C. tag in NW side 12" Ash N43°E 49.98'
Set nail & O.C. tag in NW side 20" Elm S50°W 31.46'
H-13, T7N, R13W East 4.49'
South edge of Grand River North 120'+



Signed by Rodney D. Unema

Date June 30, 1998

Surveyor's Michigan License No. 33987

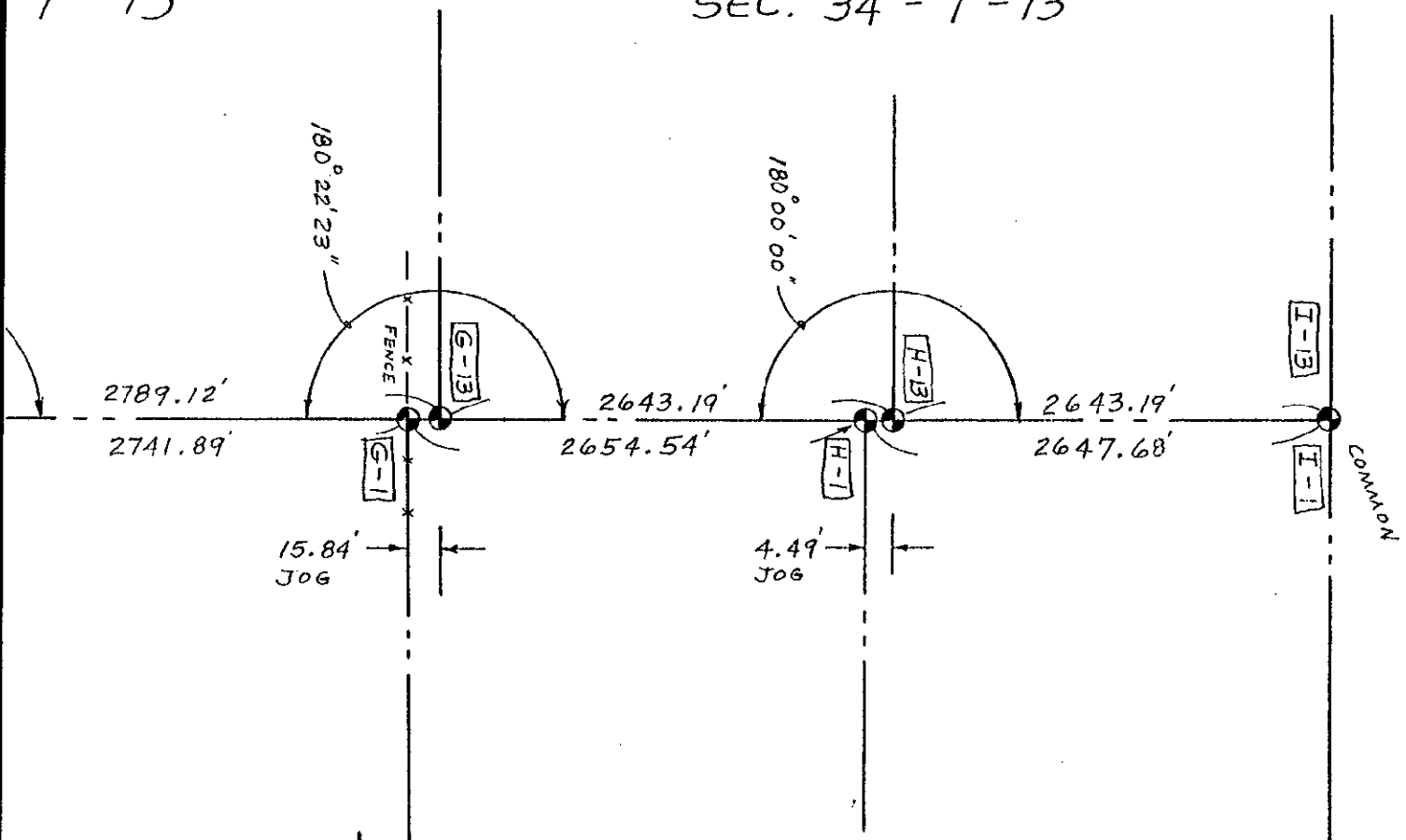
SURVEY &
REMONUMENTATION

DEC 01 1998

SECTION

7-13

SEC. 34-7-13



13

SEC. 3-6-13

