

1995 REMONUMENTATION PROGRAM  
**LAND CORNER RECORDATION CERTIFICATE**  
 Filing Requirement of Act 74, Mich. P.A. 1970

For corners in Denmark Township

<u>Tuscola</u> <small>(County)</small>	Located In:	Corner Code <u>##</u>
1. Public Land Survey	T <u>12N</u> R <u>7E</u>	<u>M-8</u>
	T _____ R _____	_____
	T _____ R _____	_____
	T _____ R _____	_____
2. Property Controlling in Section	S _____ T _____ R _____	_____
	S _____ T _____ R _____	_____
3. Miscellaneous Property in Sec.	S _____ T _____ R _____	_____
	S _____ T _____ R _____	_____
4. Lot No. _____, Recorded Plat _____		
5. Private Claims _____		

RECEIVED FOR RECORD  
 LIBER NO. \_\_\_\_\_ PAGE NO. \_\_\_\_\_  
 FILING NO. #78  
DENMARK TWP  
 95 NOV 21 PM 3:00  
 VIRGINIA H. HOLLAREN  
 TUSCOLA COUNTY  
 REGISTER OF DEEDS

Register of Deeds Stamp & File Number

	A	B	C	D	E	F	G	H	I	J	K	L	M
2	6		5		4		3		2		1		
3													
4	7		8		9		10		11		12		
5													
6	18		17		16		15		14		13		
7													
8	19		20		21		22		23		24		
9													
10	30		29		28		27		26		25		
11													
12	31		32		33		34		35		36		
13													

I, Kenneth D. Dunton, in a field survey on October 20, 19 95, do hereby certify that under requirements of P.A. 74, Michigan P.A. of 1970, the corner points mentioned in lines 1 and 2 above were in conformance with regulations and rules therefore as required in the current manual of survey instructions of the United States Department of the Interior, Bureau of Land Management or by a decree of a Court of Law and/or that the corner points mentioned in lines 3, 4 and 5 above were in conformance with the rules of the Michigan Board of Land Surveyors or by a Decree of a Court of Law; established, re-established, monumented, re-monumented, recovered, found as expressed below:

NOTE: Not more than 4 corners, all in the same town and range, may be recorded on this certificate.

A. Description of original monument and accessories and/or subsequent restoration:

1834 G.L.O. Notes Orange Risdon, D.S. Set 1/4 Section Post Elm 18 S58W 22L W. Oak 20 N35W 30L	Sept. 6, 1980 Survey by Kenneth D. Dunton, L.S. #23503 recorded in Liber 509 Page 1329, Tuscola County Records. Set railroad spike w/cross by single proportion method. N15°W 78.38' p.k. nail in 24" maple, West 19.95' p.k. nail in 30" maple, S85°W 78.09' NE cor. house #2760, S88°E 5.0' fnd. tin can buried 18" below asph. pave., east 5.0' centerline of asph. pave. Sept. 17, 1980 Act 74 form filed by Kenneth D. Dunton, L.S. #23503 Page 43 Juniata Township. Same accessories as Survey Liber 509, Page 1329.
---	---

B. Description of corner evidence found and/or method applied in restoring or reestablishing corner:

Found railroad spike with "+" chiseled atop. Accepted spike as the proper position of Corner M-8.

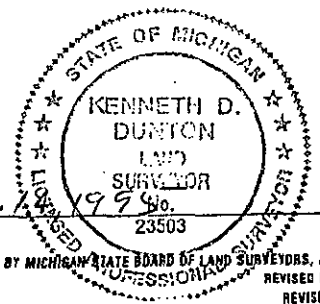
C. Description of monument for corner and accessories established to perpetuate locating the position of the corner:

Removed railroad spike and placed concrete monument with standard brass cap stamped corner M-8, T12N-R7E. Placed monument box over monument.  
 S77°57'W 78.03' NE corner conc. block footings house #2760.  
 N86°06'W 20.40' fnd. #11192 tag & spike in N. face 30" maple.  
 N26°17'W 43.62' fnd. #11192 tag & spike in E. face 24" maple.  
 N14°08'W 78.52' fnd. #11192 tag & spike in E. face 26" maple.  
 N45°56'E 30.30' set 1/2" x 18" re-rod in shoulder of road.  
 East 5' physical centerline N-S pavement.

Signed by [Signature] Date Nov. 14, 1995

Surveyor's Michigan License No. 23503

**APPROVED**  
11-14-95  
[Signature]

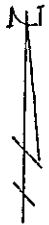


FORM APPROVED BY MICHIGAN STATE BOARD OF LAND SURVEYORS, JAN. 28, 1971  
 REVISED MAY 14, 1975  
 REVISED JAN., 1983

DEC 1 1995

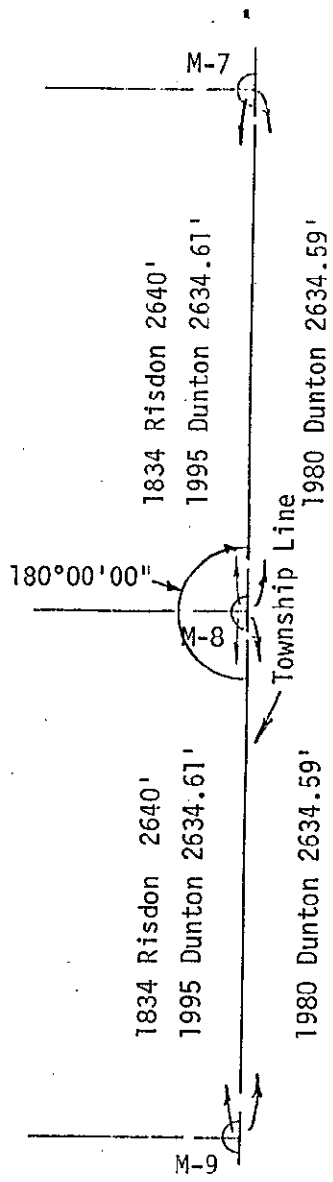
COMM...

COPY



Section 24

T12N-R7E



Section 19

T12N-R8E