

MAR 02 1999

1998 REMONUMENTATION PROGRAM

**SECTION**

**LAND CORNER RECORDATION CERTIFICATE**  
Filing Requirement of Act 74, Mich. P.A. 1970

For corners in Kingston Township

RECEIVED FOR RECORD  
LIBER NO. \_\_\_\_\_ PAGE NO. \_\_\_\_\_  
FILE NO. 481  
Kingston Twp  
98 DEC 10 PM 4:14  
*Gregory M. Dunton*  
TUSCOLA COUNTY  
REGISTER OF DEEDS

|                                    |                           |               |
|------------------------------------|---------------------------|---------------|
| <u>Tuscola</u><br>(County)         | Located In:               | Corner Code # |
| 1. Public Land Survey              | T <u>12</u> N <u>11</u> E | <u>A-3</u>    |
|                                    | T _____ R _____           | _____         |
|                                    | T _____ R _____           | _____         |
|                                    | T _____ R _____           | _____         |
| 2. Property Controlling in Section | S _____ T _____ R _____   | _____         |
|                                    | S _____ T _____ R _____   | _____         |
| 3. Miscellaneous Property in Sec.  | S _____ T _____ R _____   | _____         |
|                                    | S _____ T _____ R _____   | _____         |

Register of Deeds Stamp & File Number

4. Lot No. \_\_\_\_\_, Recorded Plat \_\_\_\_\_  
5. Private Claims \_\_\_\_\_

I, Kenneth D. Dunton, in a field survey on June 21, 1998 do hereby state that under requirements of P.A. 74, Michigan P.A. of 1970, the corner points mentioned in lines 1 and 2 above were in conformance with regulations and rules therefore as required in the current manual of survey instructions of the United States Department of the Interior, Bureau of Land Management or by a decree of a Court of Law and/or that the corner points mentioned in lines 3, 4 and 5 above were in conformance with the rules of the Michigan Board of Land Surveyors or by a Decree of a Court of Law, established, re-established, monumented, recovered, found as expressed below:

NOTE: Not more than 2 corners, all in the same town and range, may be recorded on this certificate.

|    |   |    |   |    |   |    |   |    |   |    |   |    |   |
|----|---|----|---|----|---|----|---|----|---|----|---|----|---|
| 1  | A | B  | C | D  | E | F  | G | H  | I | J  | K | L  | M |
| 2  |   | 6  |   | 5  |   | 4  |   | 3  |   | 2  |   | 1  |   |
| 3  |   |    |   |    |   |    |   |    |   |    |   |    |   |
| 4  |   | 7  |   | 8  |   | 9  |   | 10 |   | 11 |   | 12 |   |
| 5  |   |    |   |    |   |    |   |    |   |    |   |    |   |
| 6  |   | 18 |   | 17 |   | 16 |   | 15 |   | 14 |   | 13 |   |
| 7  |   |    |   |    |   |    |   |    |   |    |   |    |   |
| 8  |   | 19 |   | 20 |   | 21 |   | 22 |   | 23 |   | 24 |   |
| 9  |   |    |   |    |   |    |   |    |   |    |   |    |   |
| 10 |   | 30 |   | 29 |   | 28 |   | 27 |   | 26 |   | 25 |   |
| 11 |   |    |   |    |   |    |   |    |   |    |   |    |   |
| 12 |   | 31 |   | 32 |   | 33 |   | 34 |   | 35 |   | 36 |   |
| 13 |   |    |   |    |   |    |   |    |   |    |   |    |   |

A. Description of original monument and accessories and/or subsequent restoration:

G.L.O. Notes Nov. 17, 1834 by H. Parke, D.S., set post corner Sections 1 & 12, Hemlock 14" N67°W 5 links, Beech 18" S18°W 25 links. Pages 104 & 105 undated survey of Section 12, T12N-R10E by John A. Teskey, County Surveyor (J.A. Teskey was County Surveyor 1886 to 1890) cedar stake previously set, no accessories.

B. Description of corner evidence found and/or method applied in restoring or reestablishing corner:

Found pieces of white china cup with dark circular area below (all surrounding area of dark circle is gray sand). Measurement south to Corner M-4 checked J.A. Teskey measure relatively well. Accepted position of white china cup pieces and dark circular area as the best evidence of the original corner.

Corner A-3, T12N-R11E is common with Corner M-3, T12N-R10E.

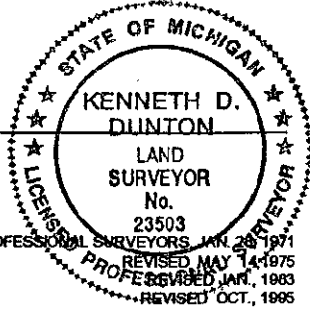
C. Description of monument for corner and accessories established to perpetuate locating the position of the corner:

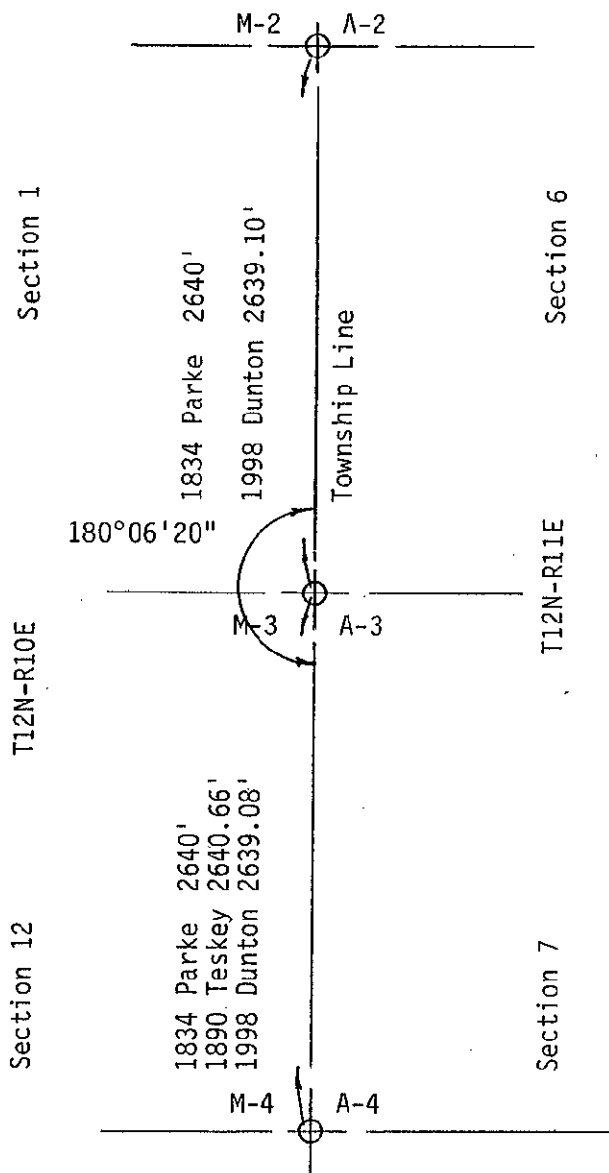
Perpetuated position of china cup pieces and dark circle with standard monument stamped M-3, T12N-R10E. Placed pieces of china cup around base of monument.  
N41°W 21.54' set 1/2" iron rod in West edge road.  
N15°E 78.71" set T.C. Remon. tag & spike in W. face triple Oak.  
N80°E 87.12' set T.C. Remon. tag & spike in S. face P. Pole.  
S65°W 42.70' set T.C. Remon. tag & spike in W. face guy pole.  
N60°W 43.30' set T.C. Remon. tag & spike in NE face P. Pole.  
S86°W 65.60' E. face 4" x 4" iron gate post (Southerly post).  
S30°W 87.39' NE face 4" x 4" iron gate post (Easterly post).

Signed by *Kenneth D. Dunton*  
Surveyor's Michigan License No. 23503

Date 12-2-98

APPROVED  
12-2-98  
*J.P.E.*  
*J.M.F.*





SURVEY &  
RECONVENTION

MAR 02 1999

SECTION