

**SURVEY & REMONUMENTATION**

MAR 02 1999

1998 REMONUMENTATION PROGRAM

**LAND CORNER RECORDATION CERTIFICATE**  
Filing Requirement of Act 74, Mich. P.A. 1970

**SECTION**

For corners in Kingston Township

<u>Tuscola</u> (County)	Located In:	Corner Code #
1. Public Land Survey	T <u>12</u> N R <u>11</u> E	<u>A-6</u>
	T ___ R ___	_____
	T ___ R ___	_____
	T ___ R ___	_____
2. Property Controlling in Section	S ___ T ___ R ___	_____
	S ___ T ___ R ___	_____
3. Miscellaneous Property in Sec.	S ___ T ___ R ___	_____
	S ___ T ___ R ___	_____

RECEIVED FOR RECORD  
LIBER NO. \_\_\_\_\_ PAGE NO. \_\_\_\_\_  
FILE NO. # 78  
Kingston Twp  
98 DEC 10 PM 4:14  
TUSCOOLA COUNTY  
REGISTER OF DEEDS  
Register of Deeds Stamp & File Number

4. Lot No. \_\_\_\_\_, Recorded Plat \_\_\_\_\_  
5. Private Claims \_\_\_\_\_

I, Kenneth D. Dunton, in a field survey on April 12 19 98 do hereby state that under requirements of P.A. 74, Michigan P.A. of 1970, the corner points mentioned in lines 1 and 2 above were in conformance with regulations and rules therefore as required in the current manual of survey instructions of the United States Department of the Interior, Bureau of Land Management or by a decree of a Court of Law and /or that the corner points mentioned in lines 3, 4 and 5 above were in conformance with the rules of the Michigan Board of Land Surveyors or by a Decree of a Court of Law; established, re-established, monumented, recovered, found as expressed below:

NOTE: Not more than 2 corners, all in the same town and range, may be recorded on this certificate.

A	B	C	D	E	F	G	H	I	J	K	L	M
1												
2	6	5	4	3	2	1						
3												
4	7	8	9	10	11	12						
5												
6	18	17	16	15	14	13						
7												
8	19	20	21	22	23	24						
9												
10	30	29	28	27	26	25						
11												
12	31	32	33	34	35	36						
13												

A. Description of original monument and accessories and/or subsequent restoration:

G.L.O. Notes Nov. 17, 1834 by H. Parke, D.S., set 1/4 section post, Hemlock 20" N40°W 6 links, Hemlock 6" S17°W 6 links. Feb. 3, 1995 Survey L-681, P-1382, 1383, & 1384 by Earl E. Gravlin, P.S. #23510, fnd. 1/2" re-rod, S35°W 49.95' nail 24" Maple, N50°W 40.11' nail SW side 16" Elm, N50°E 43.20' nail face wood post.

B. Description of corner evidence found and/or method applied in restoring or reestablishing corner:

Found 1/2" iron rod surrounded by large rocks & accepted as the best evidence of the original corner.

Corner A-6, T12N-R11E is common with Corner M-6, T12N-R10E.

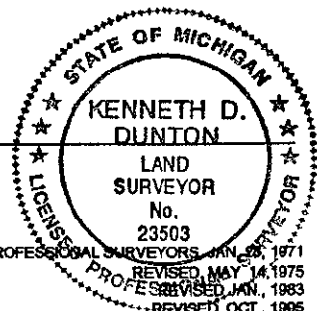
C. Description of monument for corner and accessories established to perpetuate locating the position of the corner:

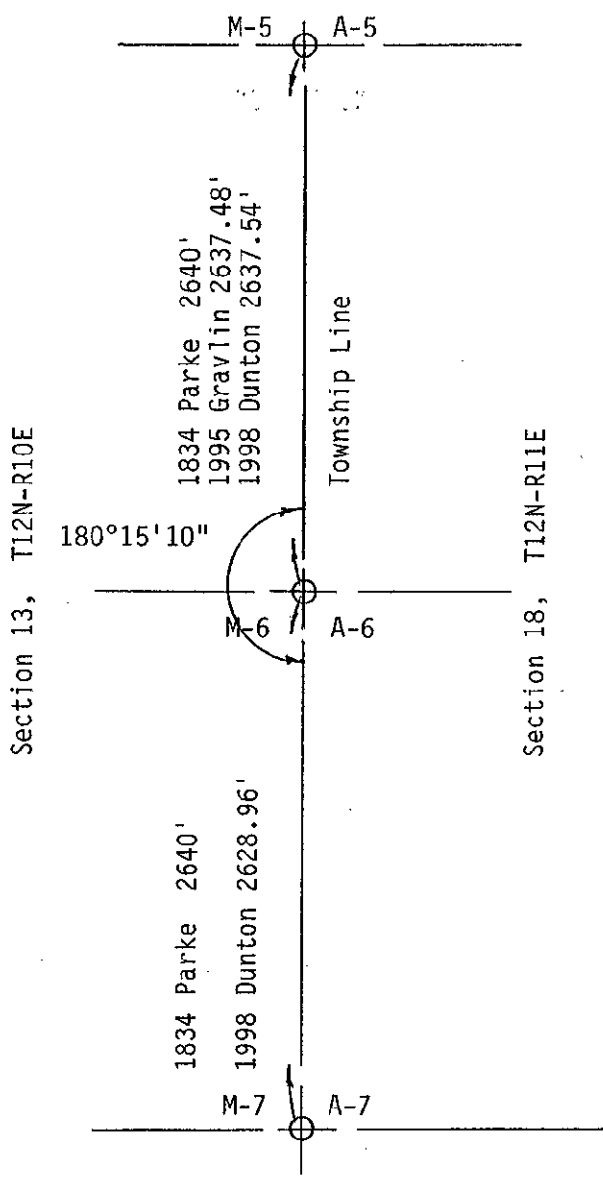
Removed 1/2" rod and perpetuated with standard monument stamped M-6, T12N-R10E.  
S16°E 84.99' set T.C. Remon. tag & spike in SE face 15" Maple.  
N60°E 43.61' set T.C. Remon. tag & spike in SE face 6" post, fnd. P.K. nail in SW face of post.  
S30°W 50.00' fnd. spike & tag #37276 in SE face 30" Maple.  
N50°W 40.12' fnd. spike & tag #37276 in SW face 14" Maple.

Signed by [Signature]  
Surveyor's Michigan License No. 23503

Date 12-2-98

APPROVED  
12-2-98  
[Signature]





SURVEY &  
REMONUMENTATION

MAR 02 1999

SECTION