

SURVEY & REMONUMENTATION

MAR 02 1999

1998 REMONUMENTATION PROGRAM

SECTION

LAND CORNER RECORDATION CERTIFICATE
Filing Requirement of Act 74, Mich. P.A. 1970

For corners in Kingston Township

<u>Tuscola</u> (County)	Located In:	Corner Code #
1. Public Land Survey	T12NR11E	A-7
	T ___ R ___	_____
	T ___ R ___	_____
	T ___ R ___	_____
2. Property Controlling in Section	S ___ T ___ R ___	_____
	S ___ T ___ R ___	_____
3. Miscellaneous Property in Sec.	S ___ T ___ R ___	_____
	S ___ T ___ R ___	_____

RECEIVED FOR RECORD
LIBER NO. _____ PAGE NO. _____
FILE NO. #77
KINGSTON TWP.
98 DEC 10 PM 4:14
TUSCOLA COUNTY
REGISTER OF DEEDS
Handwritten signature

Register of Deeds Stamp & File Number

4. Lot No. _____, Recorded Plat _____
5. Private Claims _____

I, Kenneth D. Dunton, in a field survey on April 12 19 98 do hereby state that under requirements of P.A. 74, Michigan P.A. of 1970, the corner points mentioned in lines 1 and 2 above were in conformance with regulations and rules therefore as required in the current manual of survey instructions of the United States Department of the Interior, Bureau of Land Management or by a decree of a Court of Law and /or that the corner points mentioned in lines 3, 4 and 5 above were in conformance with the rules of the Michigan Board of Land Surveyors or by a Decree of a Court of Law, established, re-established, monumented, recovered, found as expressed below:

NOTE: Not more than 2 corners, all in the same town and range, may be recorded on this certificate.

A	B	C	D	E	F	G	H	I	J	K	L	M
1												
2	6	5	4	3	2	1						
3												
4	7	8	9	10	11	12						
5												
6	18	17	16	15	14	13						
7												
8	19	20	21	22	23	24						
9												
10	30	29	28	27	26	25						
11												
12	31	32	33	34	35	36						
13												

A. Description of original monument and accessories and/or subsequent restoration:

G.L.O. Notes Nov. 17, 1834 by H. Parke, D.S., set post corner Sections 13 & 24, Hemlock 8" S7°W 8 links, Hemlock 9" N12°W 4 links.

B. Description of corner evidence found and/or method applied in restoring or reestablishing corner:

Found 1" pipe in monument box and accepted as the best evidence of the original corner.
Corner A-7, T12N-R11E is common with Corner M-7, T12N-R10E.

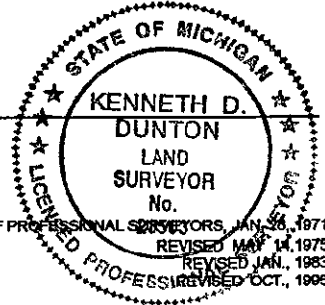
C. Description of monument for corner and accessories established to perpetuate locating the position of the corner:

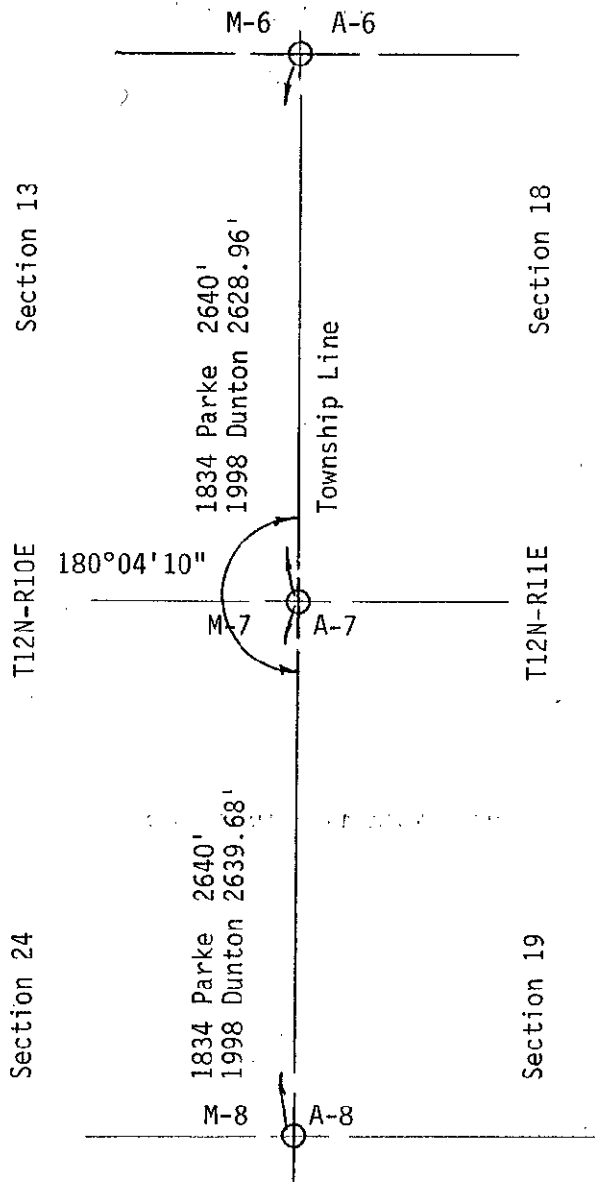
Placed 5/8" iron rod and 2" brass cap in 1" pipe found in monument box. Stamped brass cap M-7, T12N-R10E. Encased rod, pipe & cap in concrete in monument box.
S15°W 106.13' fnd. spike & tag #37276 in E. face 24" tree.
N25°E 65.50' fnd. P.K. & tag #37276 in W. face P. Pole.
S47°E 82.48' set T.C. Remon. tag & spike in SW face 18" Ash.
N35°W 44.05' set T.C. Remon. tag & spike in NE face 4" cor. post, fnd. spike & tag in NW face.

Signed by *Kenneth D. Dunton*
Surveyor's Michigan License No. 23503

Date 12-2-98

APPROVED
12-2-98
Handwritten initials





SURVEY &
REMONUMENTATION

MAR 02 1999

SECTION