

**SURVEY
REMONUMENTATION**

MAR 02 1999

1998 REMONUMENTATION PROGRAM
LAND CORNER RECORDATION CERTIFICATE
Filing Requirement of Act 74, Mich. P.A. 1970

SECTION

For corners in Novesta Township

<u>Tuscola</u> (County)	Located In:	Corner Code #
1. Public Land Survey	T13N R11E	C-13
	T ___ R ___	_____
	T ___ R ___	_____
	T ___ R ___	_____
2. Property Controlling in Section	S ___ T ___ R ___	_____
	S ___ T ___ R ___	_____
3. Miscellaneous Property in Sec.	S ___ T ___ R ___	_____
	S ___ T ___ R ___	_____

RECEIVED FOR RECORD
LIBER NO. _____ PAGE NO. _____
FILE NO. #59
NOV 27 7 00 P.
98 DEC 10 PM 4:11
TUSCOLA COUNTY
REGISTER OF DEEDS
Janet Johnson

Register of Deeds Stamp & File Number

4. Lot No. _____, Recorded Plat _____
5. Private Claims _____

	A	B	C	D	E	F	G	H	I	J	K	L	M
1													
2	6		5		4		3		2		1		
3													
4	7		8		9		10		11		12		
5													
6	18		17		16		15		14		13		
7													
8	19		20		21		22		23		24		
9													
10	30		29		28		27		26		25		
11													
12	31		32		33		34		35		36		
13													

I, Kenneth D. Dunton in a field survey on April 15, 1998 do hereby state that under requirements of P.A. 74, Michigan P.A. of 1970, the corner points mentioned in lines 1 and 2 above were in conformance with regulations and rules therefore as required in the current manual of survey instructions of the United States Department of the Interior, Bureau of Land Management or by a decree of a Court of Law and /or that the corner points mentioned in lines 3, 4 and 5 above were in conformance with the rules of the Michigan Board of Land Surveyors or by a Decree of a Court of Law; established, re-established, monumented, recovered, found as expressed below:

NOTE: Not more than 2 corners, all in the same town and range, may be recorded on this certificate.

A. Description of original monument and accessories and/or subsequent restoration:

G.L.O. Notes Nov. 20, 1834 by H. Parke, D.S., set post corner Sections 31 & 32, Elm 18" N25°W 12 1/2 links, Elm 18" N88°E 16 1/2 links. Jan. 2, 1979 L.C.R.C. Page 21 by David T. Rowe, P.S. #11192, fnd. nothing, set 1/2" re-rod & cap #11192 on line between S 1/4 cor. Sec. 32, T13N-R11E & NW cor. Sec. 5, T12N-R11E and at govt. distance, West 21.12' "T" iron (NW cor. Sec. 5 T12N-R11E), S55°W 52.90' nail & cap in 15" tree, S20°E 25.75' road sign post, N40°E 36.80' SW cor. tele. box. Jan. 9, 1979 Survey L-495, P-588 & 589 by David T. Rowe, P.S. #11192, same object and accessories as L.C.R.C. Page 21.

B. Description of corner evidence found and/or method applied in restoring or reestablishing corner:

Found 1/2" iron rod and accepted as the best evidence of the original corner.

C. Description of monument for corner and accessories established to perpetuate locating the position of the corner:

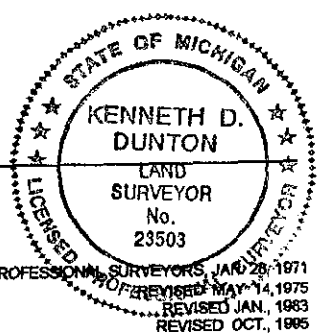
Removed 1/2" rod & perpetuated with standard monument stamped C-13, T13N-R11E. Placed circle rocks around base of monument.

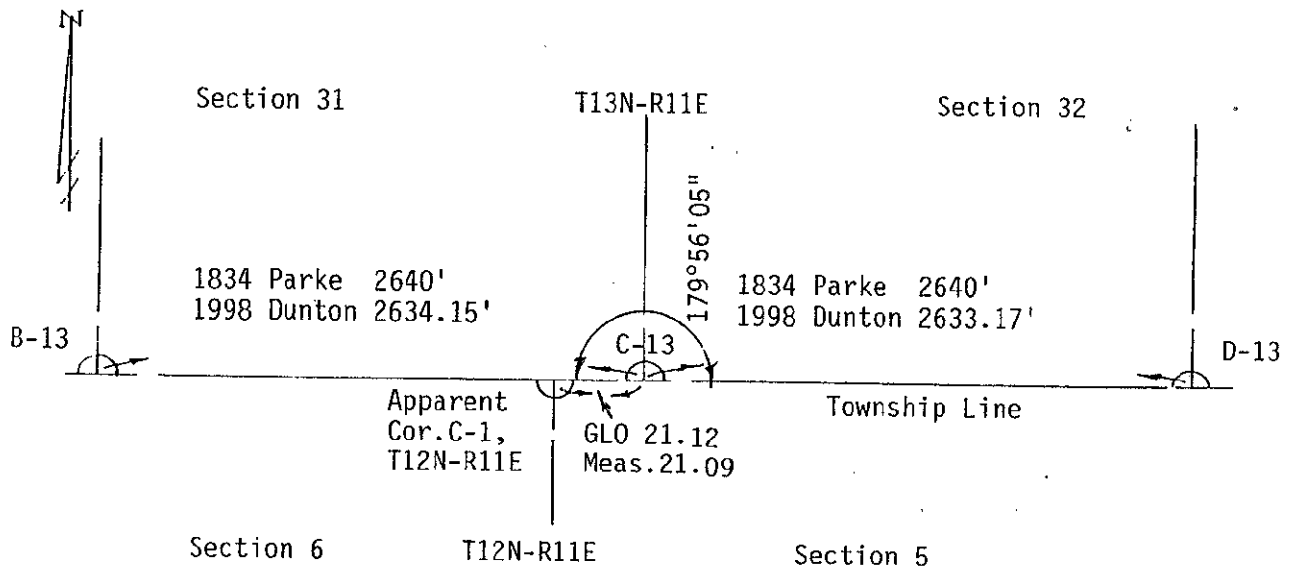
- N60°W 54.61' set T.C. Remon. tag & spike in NE cor. 4" x 4" wood post, tele. ped. support.
- S60°W 53.34' set T.C. Remon. tag & spike in SE face 16" Maple.
- N55°E 33.00' chiseled notch atop N. end of 40' x 15" CSP.
- S50°E 32.07' chiseled notch atop S. end of 40' of 15" CSP.
- N40°E 36.70' SW corner tele. pedestal.
- West 21.09' fnd. "T" iron at apparent Corner C-1, T12N-R11E.

Signed by *Kenneth D. Dunton*
Surveyor's Michigan License No. 23503

Date 12-2-98

APPROVED
12-2-98
[Signature]





SURVEY &
 REMONUMENTATION

MAR 02 1999

SECTION